

# SupplyBin

## CABINET STORAGE SYSTEM THAT DELIVERS BIN-LEVEL CONTROL FOR BULK ITEMS

Introducing SupplyBin™, the cost-effective bulk storage workhorse of SupplyPro's exciting new Smart Cabinet product line. Engineered to handle a high volume of durable and consumable items, it offers a bin-level shopping experience allowing the user to select multiple items from a single cabinet. SupplyBin can function as a standalone unit, or seamlessly integrate with other cabinets within the Smart Cabinet product line. It can be configured with up to 8 adjustable shelves and can accommodate various sizes of bins. Each bin comes with 4 bin dividers. At maximum density, SupplyBin can store up to 99 bins and, with bin dividers, can hold up to 396 distinct SKU's. Discover unparalleled flexibility with SupplyBin — the ultimate low-cost inventory management solution.

### SUPPLYBIN DELIVERS

- **Secure Access & Accountability:** Ensure the security of your inventory through controlled access, maintaining accountability for every item.
- **Outstanding Value:** Maximize your investment with a low-cost per SKU inventory management system, providing exceptional value.
- **Efficiency & Productivity:** Store/control bulk items efficiently.
- **Scalability:** Effortlessly expand your inventory management capabilities by integrating additional cabinets.
- **Real-time Visibility:** Immediately gain insights into your inventory with real-time tracking and reporting features.
- **Customizable Configuration:** Tailor the cabinet to meet your specific needs by adjusting shelf layouts, adding different size bins or incorporating additional cabinet types.

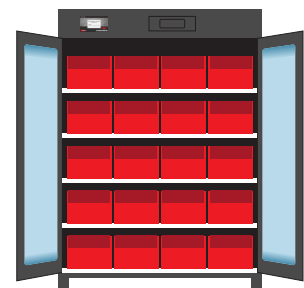
### FEATURES

- SupplyBin comes standard with 5 shelves inclusive of the bottom of cabinet as a shelf.
- Up to 4 additional shelves can be added, and shelves can easily be moved to allow 12 different bin sizes to accommodate high volume of items, varying sizes of product or changes in product mix.
- Comes standard with an RFID badge reader to identify employee access to cabinet. Optional fixed barcode, magstripe or Wiegand readers are available.
- Tethered handheld barcode scanner for item-level shopping of products.
- Powered by SupplyPro's new Device Driver™ 1 firmware.
- Available as a Main device with industrial touchscreen monitor and badge reader or as an Auxiliary device to other Smart Cabinet devices.
- Optimal product availability insight, utilizing SupplyPro's user-friendly cloud-based software and standard or customized reports and dashboards.



#### HIGH-DENSITY SUPPLYBIN

SupplyBin comes standard with 5 shelves (inclusive of bottom of cabinet shelf). For high-density dispensing, up to 4 additional shelves can be added. Above configuration is an example only.



#### LOW-DENSITY SUPPLYBIN

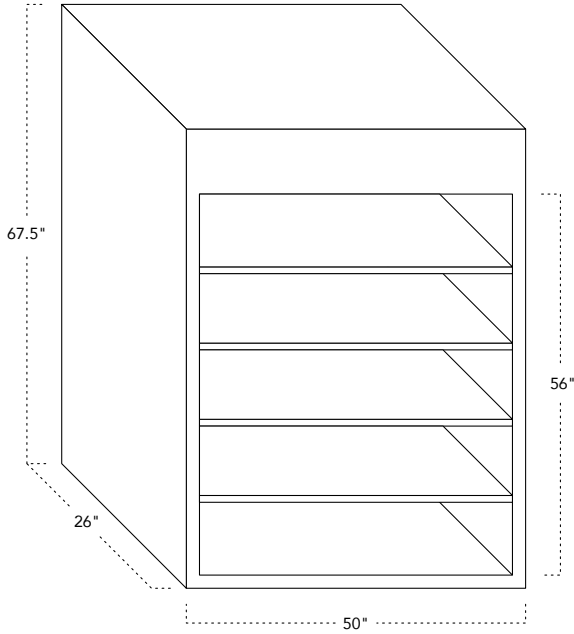
Comes standard with 5 shelves (inclusive of bottom of cabinet shelf). Above configuration is an example only.

### APPLICATION

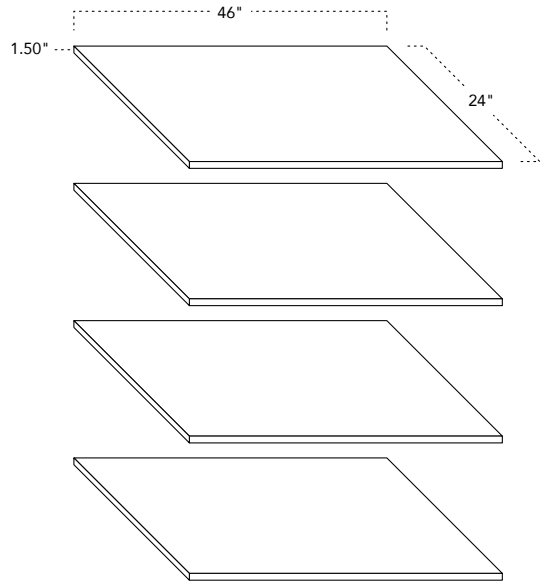
Fasteners • Welding supplies  
Maintenance supplies (MRO)  
Cutting tools • Abrasives • Adhesives  
Sealants • Security items • Bulk items  
Personal protective equipment (PPE)  
Safety equipment and supplies

## DIMENSIONS

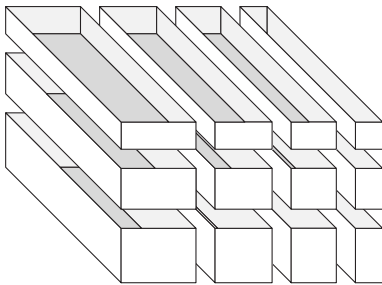
SupplyBin comes standard with 5 shelves (inclusive of bottom of cabinet shelf).



Optional additional shelves are available, up to 9 shelves total per cabinet (inclusive of bottom of cabinet shelf).



Optional bins sold in packaged quantities are available. Each bin comes standard with 4 dividers.



### Available bin packages

QTY	SIZE (H x W)		
11	4" x 4"	6" x 4"	8" x 4"
6	4" x 6"	6" x 6"	8" x 6"
5	4" x 8"	6" x 8"	8" x 8"
4	4" x 11"	6" x 11"	8" x 11"

All lengths are 24"



RFID badge reader is standard. Optional fixed barcode, magstripe and Wiegand readers are available.



Standard SupplyBin includes wired, 1D laser handheld scanner with 63" cable.

